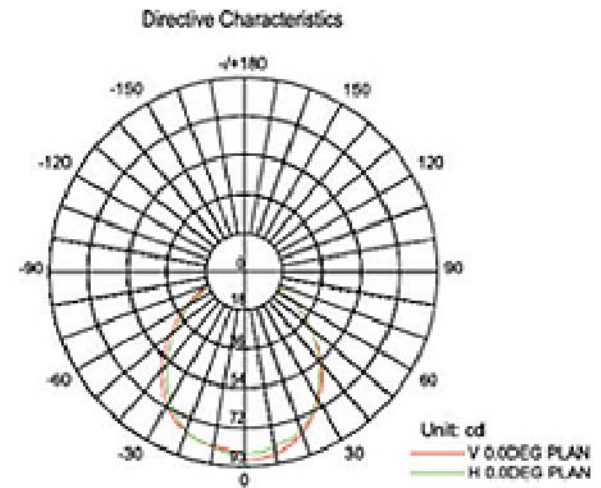
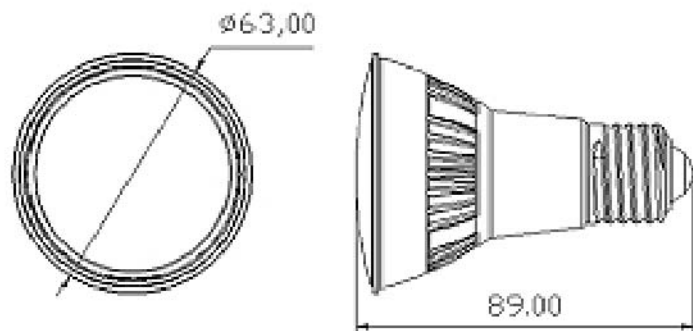
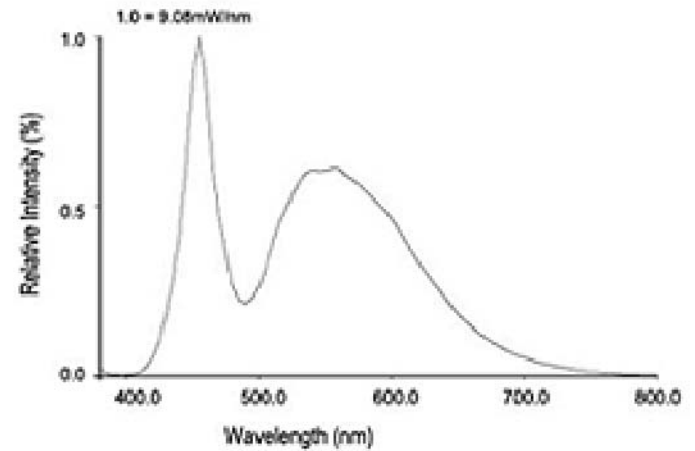


BY	CHK	REVISION RECORD MODIFICATIONS	DATE	REV.
ALLEN		RELEASE TO PRODUCTION	2008,7,28	1.0



AVERAGE BEAM ANGLE(50%): 100 DEG

Relative Intensity vs. Wavelength



APPRO	CHECK	DRAWN	PART NO.	DESCRIPTION		
			ITEM NO.			
			DRAW NO.			
			UNIT			
			TOLER	NO.		Tel:0769 2202 0068 Fax:0769 2202 0069 E-mail:saes@vigortec.com